



## CONFERENCING AND DISCUSSION SYSTEM

The conference system is never demanded like today. JTS presents CS-1 with easiest installation and the most flexible systems CS microphone automatic mixers. All are based on JTS famous audio and liner/digital control design technology.

With interpretation system IT-12 multi-language conference is made easier.



## Discussion and Conferencing





CS-1CU

The innovative CS-1 i-Conference Discussion System is equipped with JTS in-house made ECM capsule, intelligent automatic mixing technology and integrated acoustic and mechanical design, providing Turn-Key solution and delivering consistently natural, feedback-free audio performance with any environment. The i-Conference Discussion System is ideal for discussion and meeting with up-to 150 attendants.

A CS-1 i-Conference Discussion System consists of:

- One Control and power supply unit (CU).
- Maximum 150 delegate or chairman units.
- Peripheral audio and/or telecommunication equipment.

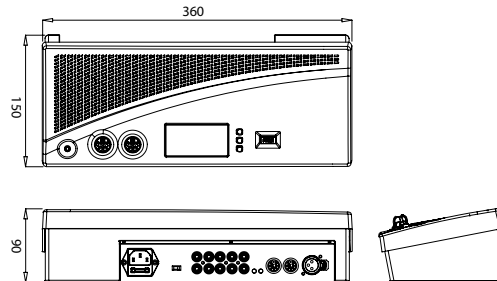
The control unit is the center of the discussion system which controls the microphones of the chairman and delegate units as well as connects to other audio input and output. It also supplies the power for the CU itself, and up to 50 chairman and delegate units.

The delegate unit enables the attendants to participate in a discussion by speaking through a microphone, controlled by a microphone ON/OFF push-button, and listening to discussion by the internal loudspeaker and external headphone.

The chairman unit not only provides the same function as the delegate unit, but also supports the addition of a "Priority button", that enables the chairman to control the discussion by temporary or permanently overriding and deactivating all active microphones of the delegate units.

## CS-1CU

Control and Power Supply Unit



## CS-1CH

Chairman Unit

## CS-1DU

Delegate Unit



CS-1CH

CS-1DU

Voltage..... VAC100-240~, 50/60Hz  
 Current consumption..... MAX 0.9A(100VAC) / 0.3A(240VAC)  
 DC supply to contribution units..... ±15V

Line, telephone coupler and insertion in/outputs (unbalanced)  
 Input sensitivity..... -14dBV/+11dBV (nominal/maximum)  
 Input impedance..... 33KΩ  
 Output level..... -14dBV/+11dBV (nominal/maximum)  
 Output impedance..... 500Ω

Recorder in/output (unbalanced)  
 Input sensitivity..... -20dBV/+5dBV (nominal/maximum)  
 Input impedance..... 47KΩ (for L & R channel)  
 Adjustment..... -20dBV/+5dBV(nominal/maximum)  
 Output level..... +0/-30dBV  
 Output impedance..... 500Ω

External microphone input (XLR(F) balanced)  
 Input sensitivity..... -56dBV  
 Adjustment..... +6dBV/-6dBV(nominal/maximum)  
 Phantom supply..... 12V+/-1V, 2\*680Ω (±2%)

Headphone output  
 Output level..... -8dBV/+2dBV(nominal/maximum)  
 Output Impedance..... 22Ω

### System limits

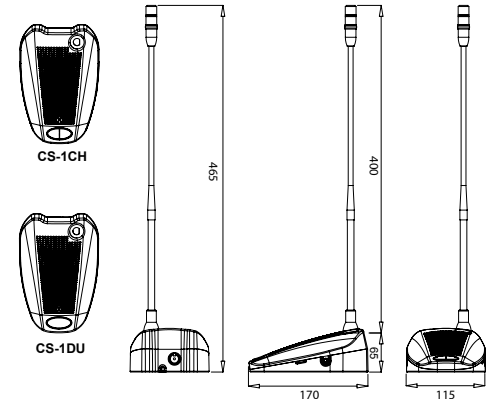
Number of delegate/chairman units connected to one control unit  
 Maximum in total..... 50  
 Maximum per trunk output..... 25  
 Maximum trunk length using CS-1.. standard cabling: 100m

Dimensions (HxWxD)..... 360\*150\*90 mm  
 Weight..... 1745 grams

### Gooseneck Microphone

Type..... Back Electret Condenser  
 Frequency Response..... 50 ~ 18,000Hz  
 Polar Pattern..... Cardioid  
 Max. SPL for 1% THD..... 125dB  
 Gooseneck Length..... 15" (400mm)

Dimensions (HxWxD) without mic... 170\*115\*65 mm  
 Length of mic..... 400 mm  
 Weight..... 1100 grams



CS-1CH

CS-1DU

# CS-1EXM / CS-1EXS

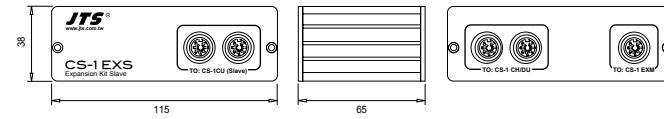
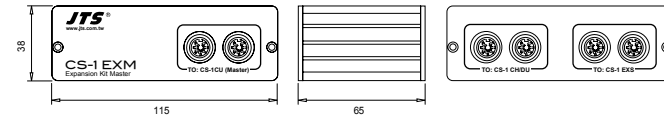
Expansion Kit

CS-1 expansion kit, combined with D7PDM-1 extension cables, can expand the number of using units of i-conference discussion system from 50 to 150 by adding maximum two additional CS-1CU functioning as power supply units only.

The system is controlled by the master CS-1CU unit.

Using D7P-10 or D7P-20 extension cables to extend the operation distance.

Input..... 7-pin DIN Connector  
 Output..... 7-pin DIN Connector  
 Dimension(mm) 115mm(W)\* 65mm(D)\* 38mm(H)



# D7P-10 / D7P-20

Extension Cable

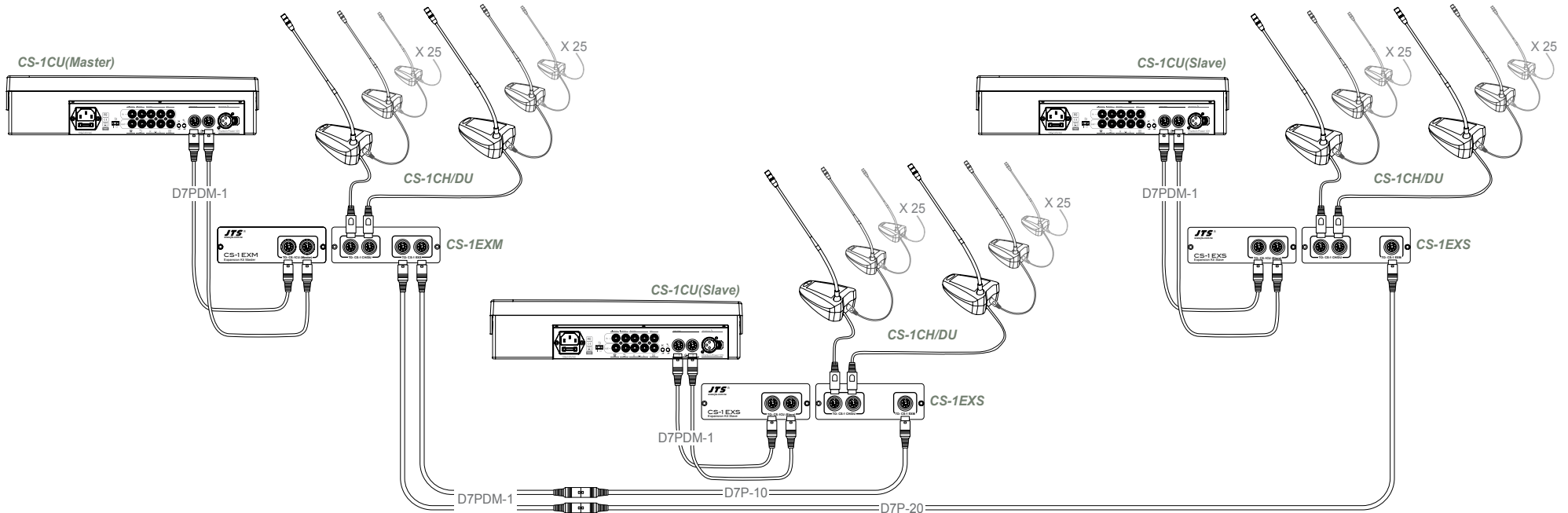
Din 7 pin XLR-F / XLR-M  
 Length: 10 / 20 M



# D7PDM-1

Extension Cable

Din 7 pin XLR-M / XLR-M  
 Length: 1 M





## CS-8

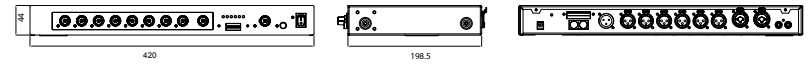
Automatic Microphone Mixer

The CS series microphone automatic mixers provide great convenience to sound reinforcement installation with any size and any combination. Full feature design includes

- \* Daisy-chain with unlimited number of the mixer
- \* Three operation modes: one-channel-at-a time, all active or override
- \* Switchable inputs accept microphones or line level devices
- \* Switchable output levels between mic. and line level
- \* Individual gain control and phantom power for each channel
- \* Last In stays on for continuous ambience sound
- \* Control voltage provided to trigger external device such as speaker switching and camera switching

The outstanding performance enables effective managing of multi-microphone installations including corporate boardrooms, conference rooms, government builds, houses of worship, classrooms.

<b>Input</b>	
Type.....	XLR
Mic.....	4.7KΩ
Line.....	20KΩ
<b>Output</b>	
Type.....	XLR
Mic.....	300Ω
Line.....	200Ω
MAX Output Level....	>17dB
MAX Gain.....	>70dB
Frequency Respond	35~20,000 Hz
THD%.....	<0.06%
Signal-to-noise ratio	>70 dB
Input Attenuation.....	-50dB
Phantom Power.....	+48V
Mic In Attenuation...	-10dB / -20dB
Mic Attenuation.....	-10dB / -15dB / -20dB
Output Attenuation...	-50dB
Voltage Output.....	+4VDC ±0.3V
Power Supply.....	18VDC, 1A
Power Consumption	13.5W
Fuse.....	T0.5AE 250V (Slow-Blow)
Weight.....	2.25 kg
Dimensions.....	420mm(W)*44mm(H)*198.5mm(D)



## CS-4

Automatic Microphone Mixer

Power Supply.....	16VDC, 100mA (The attached adapter, 12V, 600mA, isn't full-loaded, so it can provide enough voltage +16VDC to the Automatic mixer.)
Power Consumption.....	4.6 Watt (include Adapter)
Fuse.....	T0.5AE 250V

<b>Impedance</b>	
<b>Input</b>	
Type.....	XLR
Mic.....	4.7KΩ
Line.....	20KΩ

<b>Output</b>	
Type.....	XLR
Mic.....	300Ω
Line.....	200Ω

<b>Maximum Output Level</b>	
Line.....	>+19 dB
Maximum Gain.....	≥70dBm

<b>Internal Controls</b>	
Mic/Line attenuation.....	-50dB
Phantom Power.....	+12V
Pad.....	-10dB
MIC Attenuation.....	-10dB, -15dB, -20dB
Output Attenuation.....	-50dB

Frequency Response.....	35~20,000Hz ±2dB
THD% Input(1 KHz -50dB)	<0.06%
Signal-To-Noise Ratio.....	>70dBm
Voltage Output.....	+4VDC±0.3V
Weight.....	1.41 kg
Dimensions.....	212mm(W)*44mm(H)*212mm(D)



## D8P-1

Extension Cable

Din 8 Pin Male/Male Cable  
Length: 0.8 M



