

# EK 1039

## tourguide receiver

### FEATURES

- easy and intuitive operation
- 75 MHz switching bandwidth
- up to 32 channels in parallel
- programmable channel names
- copy function for easy handling
- robust metal housing

The sturdy **EK 1039** is an easy and intuitive to operate tourguide receiver. It can be used for guided tours, interpretation, assistive listening or commando applications. Any Sennheiser headphones or induction loop can be used. For power supply, standard AA batteries or the included battery pack (BA 2015) can be used. The backlit LC display shows channel number, the programmable channel name and battery status information. The EK 1039 can be used together with transmitters of the ew G3 (range B, C, D, E) and the 2000 series (range BW, CW, DW).



### ARCHITECT'S SPECIFICATIONS

The device shall be a portable adaptive diversity compact personal receiver for use with a companion transmitter as part of a high reliability adaptive diversity wireless broadband FM (MPX, mono) radio frequency transmission system. The portable receiver model shall operate within 3 RF frequency ranges 626 – 698 MHz; 718 – 790 MHz; 790 – 865 MHz; with a maximum of 32 pre-sets channels per range, with a switching bandwidth of maximum 75 MHz. The receiver shall include an auto-lock feature to prevent settings from being accidentally altered. Audio frequency response shall be 25 – 15,000 Hz. Signal-to-noise ratio shall be  $\geq 90$  dBA. The earphone audio output shall utilize a 3.5mm audio socket with an output power of 100 mW at  $32\Omega$  (adjustable via receiver external control). Menu-based software adjustments for channel designation shall be made using a backlit LCD user display; display shall indicate operating channel number, programmable channel name and battery state of charge. The receiver shall provide function for copying settings between receivers.

Continued on page 2

### TECHNICAL DATA

Modulation: .....broadband FM, MPX mono  
Receiving frequencies: .....BW range: 626 – 698 MHz  
CW range: .....718 – 790 MHz  
DW range: .....790 – 865 MHz  
Switching bandwidth .....75 MHz  
Frequency response (headphones): .....25 – 15.000 Hz  
Signal-to-noise ratio: .....> 90 dBA  
Headphones socket .....3,5 mm  
Headphones output power .....10 mW @ 32 Ohm  
Operating time (Accupack): .....typ. 8 h  
Dimensions .....82 x 64 x 24 mm  
Weight incl. Accu: .....approx. 200 g  
Temperature range: .....0° ... +40° C

#### DELIVERY INCLUDES

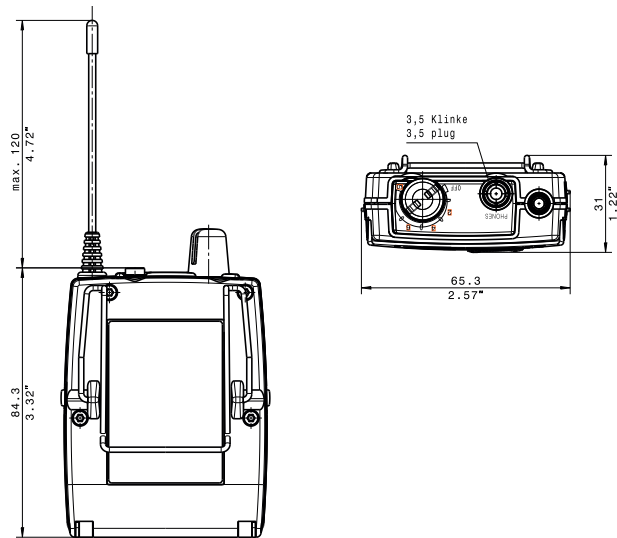
- 1 receiver EK 1039
- 1 BA 2015 rechargeable battery
- 1 short manual

# EK 1039 tourguide receiver

## ARCHITECT'S SPECIFICATIONS

The receiver shall be fully compatible with Sennheiser 2000 series (range BW, CW, and DW) and G3 series transmitters (range B, C, D, and E). Power shall be supplied to the portable receiver by 2 "AA" size batteries (1.5Vdc) or by one Sennheiser BA2015 rechargeable battery pack. Operating time shall be typical 8 hours. A rechargeable batter pack shall be in the delivery. The receiver case shall be fabricated from metal; case dimensions shall be approximately 3.23" x 2.52" x 0.94" (82 x 64 x 24 mm). Weight including battery shall be approximately 7.05 oz (200 grams). Operating conditions shall be ambient temperature +32°F to +104°F (0°C to +40°C). The portable adaptive diversity compact personal receiver shall be Sennheiser model EK 1039.

## DIMENSIONS



## PRODUCT VARIANTS

505542	EK 1039 BW
505543	EK 1039 CW
505544	EK 1039 DW

## RECOMMENDED ACCESSORIES

	Cat.No.		Cat.No.
BA 2015 spare battery	009950	SR 2050 IEM CW Frequency range 718 ... 790 MHz	503854
L 2015 2 bay charger	009828	SR 2050 IEM CW-X Frequency range 718 ... 790 MHz/ Europe	503855
EZT 3012 induction loop	504061	SR 2050 IEM DW Frequency range 790 ... 865 MHz	503858
GP 03 ear clip headphones	005225	SR 2050 IEM DW-X Frequency range 790 ... 865 MHz/ Europe	503859
GP 03M single ear clip headphones	005230	SKM 2000 BK-BW 626 ... 698 MHz, black	503773
GP 03M-L single ear clip headphones, left	500087	SKM 2000 BK-BW-X 626 ... 698 MHz / Europe, black	503774
PX 90 stereo headband headphone	502861	SKM 2000XP BK-BW 626 ... 698 MHz / US, black	503795
PMX 90 stereo neckband headphone	502860	SKM 2000 BK-CW 718 ... 790 MHz, black	503775
SKP 2000-BW 626 ... 698 MHz	503806	SKM 2000 BK-CW-X 718 ... 790 MHz / Europe, black	503776
SKP 2000-BW-X 626 ... 698 MHz / Germany	503807	SKM 2000 BK-DW 790 ... 865 MHz, black	503777
SKP 2000XP-BW 626 ... 698 MHz / US	504053	SKM 2000 BK-DW-X 790 ... 865 MHz / Europe, black	503778
SKP 2000-CW 718 ... 790 MHz	503808	SKM 2000 NI-BW 626 ... 698 MHz, nickel	503784
SKP 2000-DW 790 ... 865MHz	503810	SKM 2000 NI-BW-X 626 ... 698 MHz / Europe, nickel	503785
SR 2000 IEM BW 626 ... 698 MHz	503832	SKM 2000XP NI-BW 626 ... 698 MHz / US, nickel	503883
SR 2000 IEM BW-X 626 ... 698 MHz/ Europe	503833	SKM 2000 NI-CW 718 ... 790 MHz, nickel	503786
SR 2000XP IEM BW 626 ... 698 MHz / US	504056	SKM 2000 NI-CW-X 718 ... 790 MHz / Europe, nickel	503787
SR 2000 IEM CW 718 ... 790 MHz	503836	SKM 2000 NI-DW 790 ... 865 MHz, nickel	503788
SR 2000 IEM CW-X 718 ... 790 MHz/ Europe	503837	SKM 2000 NI-DW-X 790 ... 865 MHz / Europe, nickel	503789
SR 2000 IEM DW 790 ... 865 MHz	503840	SK 2000 BW 626 ... 698 MHz	503762
SR 2000 IEM DW-X 790 ... 865 MHz/ Germany	503841	SK 2000 BW-X 626 ... 698 MHz / Europe	503763
SR 2050 IEM BW 503850 Frequency range 626 ... 698 MHz		SK 2000XP BW 626 ... 698 MHz / US	504050
SR 2050 IEM BW-X Frequency range 626 ... 698 MHz/ Europe	503851	SK 2000 CW 718 ... 790 MHz	503764
SR 2050XP IEM BW Frequency range 626 ... 698 MHz / US	504059	SK 2000 CW-X 718 ... 790 MHz / Europe	503765
		SK 2000 DW 790 ... 865 MHz	503766
		SK 2000 DW-X 790 ... 865 MHz / Germany	503767
		SK 100 G3-B – Frequency range 626...668 MHz	
		SK 100 G3-C – Frequency range 734...776 MHz	
		SK 100 G3-D – Frequency range 780...822 MHz	
		SK 100 G3-D-X – Frequency range 780...822 MHz / Germany	
		SK 100 G3-E – Frequency range 823...865 MHz	

Continued on page 3

## EK 1039 tourguide receiver

### RECOMMENDED ACCESSORIES

	Cat.No.
SK 100 G3-E-X – Frequency range 823...865 MHz / Germany	
SK 300 G3-B – Frequency range 626...668 MHz	503603
SK 300 G3-C – Frequency range 734...776 MHz	503604
SK 300 G3-D – Frequency range 780...822 MHz	503605
SK 300 G3-D-X – Frequency range 780...822 MHz / Germany	503606
SK 300 G3-E – Frequency range 823...865 MHz	503607
SK 300 G3-E-X – Frequency range 823...865 MHz / Germany	503608
SKM 300-835 G3-B – Frequency range 626...668 MHz	503612
SKM 300-835 G3-C – Frequency range 734...776 MHz	503613
SKM 300-835 G3-D – Frequency range 780...822 MHz	503614
SKM 300-835 G3-D-X – Frequency range 780...822 MHz / Germany	503615
SKM 300-835 G3-E – Frequency range 823...865 MHz	503616
SKM 300-835 G3-E-X – Frequency range 823...865 MHz / Germany	503617
SKM 300-845 G3-B – Frequency range 626...668 MHz	503621
SKM 300-845 G3-C – Frequency range 734...776 MHz	503622
SKM 300-845 G3-D – Frequency range 780...822 MHz	503623
SKM 300-845 G3-D-X – Frequency range 780...822 MHz / Germany	503624
SKM 300-845 G3-E – Frequency range 823...865 MHz	503625
SKM 300-845 G3-E-X – Frequency range 823...865 MHz / Germany	503626
SKM 300-865 G3-B – Frequency range 626...668 MHz	503630
SKM 300-865 G3-C – Frequency range 734...776 MHz	503631
SKM 300-865 G3-D – Frequency range 780...822 MHz	503632
SKM 300-865 G3-D-X – Frequency range 780...822 MHz / Germany	503633
SKM 300-865 G3-E – Frequency range 823...865 MHz	503634
SKM 300-865 G3-E-X – Frequency range 823...865 MHz / Germany	503635
SR 300 IEM G3-B-EU – 626...668 MHz / Power supply unit EU	503641
SR 300 IEM G3-B-US – 626...668 MHz / Power supply unit US	503642
SR 300 IEM G3-C-EU – 734...776 MHz / Power supply unit EU	503643
SR 300 IEM G3-C-US – 734...776 MHz / Power supply unit US	503644
SR 300 IEM G3-D-EU – 780...822 MHz / Power supply unit EU	503645
SR 300 IEM G3-D-EU-X – 780...822 MHz / Power supply unit EU / Germany	503646
SR 300 IEM G3-D-UK – 780...822 MHz / Power supply unit UK	503647
SR 300 IEM G3-E-EU – 823...865 MHz / Power supply unit EU	503648
SR 300 IEM G3-E-EU-X – 823...865 MHz / Power supply unit EU / Germany	503649
SR 300 IEM G3-E-UK – 823...865 MHz / Power supply unit UK	503650

Sennheiser electronic GmbH & Co. KG  
Am Labor 1, 30900 Wedemark, Germany  
[www.sennheiser.com](http://www.sennheiser.com)