

EK 2020-D-II

Digital bodypack receiver

FEATURES

- Digital RF signal transmission
- Intuitive operating concept
- 16 hours battery life
- Free choice of headphones or induction loop
- Backlit LC display
- Sturdy housing

The EK 2020-D-II is a sturdy digital RF bodypack receiver. It works in the frequency range of 863 – 865 MHz and offers 6 channels in parallel in tourguide mode, 8 channels in the conference mode in combination with a stationary transmitter. Intuitive operating controls make it easy to use. The included lithium polymer battery offers 16 hours of battery life. It can either be used with headphones or induction loops for use with hearing aids.



ARCHITECT'S SPECIFICATIONS

A digital RF bodypack receiver works in the frequency range of 863 – 865 MHz. It provides two operating modes, a tourguide and a conference mode. In mobile tourguide use 6 channels shall be usable in parallel, 8 in the conference mode in combination with a stationary transmitter. The volume wheel is easy to access and to control. On a backlit LC display all informations of battery life, signal strength, channel and volume settings are provided. A clip allows the receiver to be worn on clothing or a lanyard. The included rechargeable battery provides an operating time of 16 hours. The weight including the battery may not exceed 78g. The bodypack receiver shall be Sennheiser EK 2020-D-II.

TECHNICAL DATA

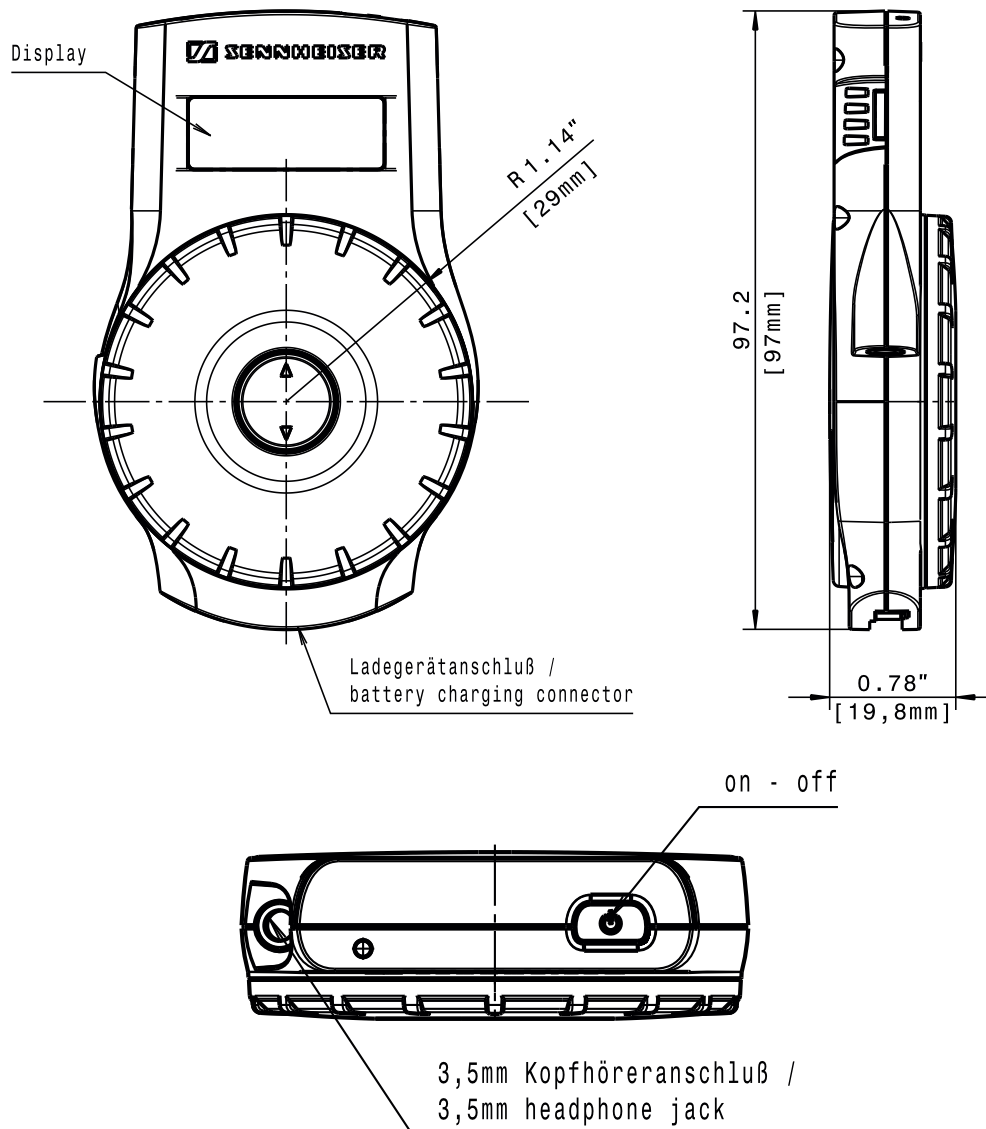
Modulation	2 FSK
RF frequency range	863 – 865 MHz
Number of channels (tourguide mode).....	6
Number of channels (conference mode).....	8
THD, total harmonic distortion	< 1 % at 10 mW
Headphone amplification.....	Max. 40 mW /32 Ohm
Headphones socket	3,5 mm sym.
Operating time (battery)	approx. 16 h
Voltage Lithium polymer batterie.....	1500 mAh
Operating temperature	0...50°C
Dimensions	98 x 61 x 24 mm
Weight incl. Accu.....	approx. 78 g

DELIVERY INCLUDES

- 10 EK 2020-D-II
- 1 operating manual

EK 2020-D-II Digital bodypack receiver

DIMENSIONS



PRODUCT VARIANTS

504794	EK 2020-D-II
504795	EK 2020-D-II-US

RECOMMENDED ACCESSORIES

Accessory/spare part	Cat. No.
EZL 2020-20, transport case and charger	500542
L2021-40, rackmount charger	502037
EZT 3012, induction loop	504061

Sennheiser electronic GmbH & Co. KG
Am Labor 1, 30900 Wedemark, Germany
www.sennheiser.com

 **SENNHEISER**